

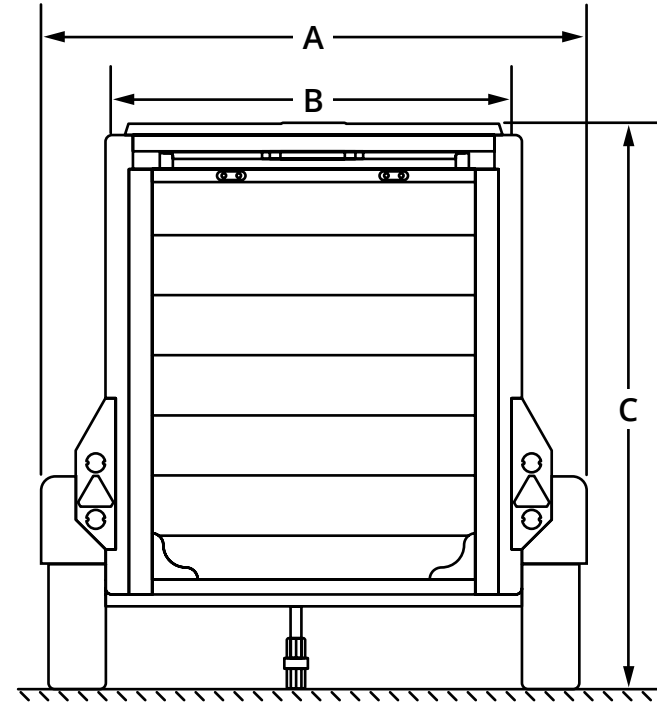
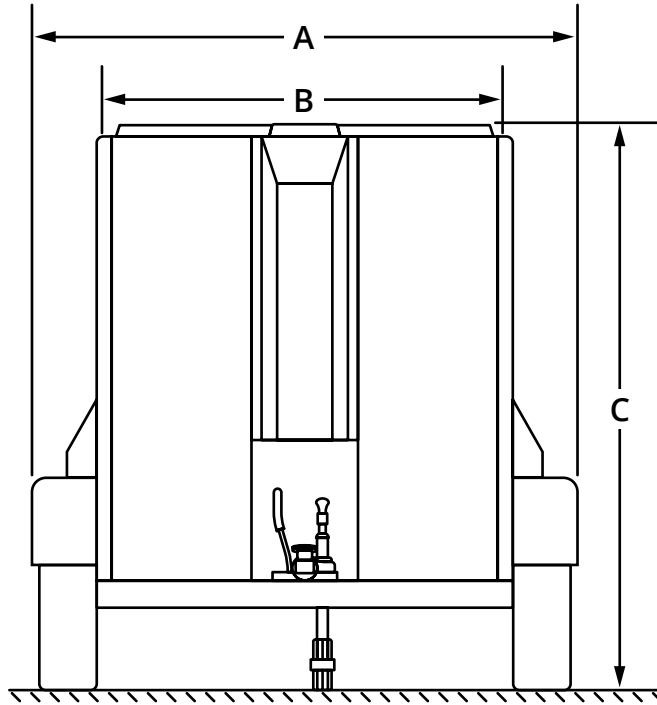
# PLATINUM T35

LIFTING DECK - 14', STANDARD HEIGHT



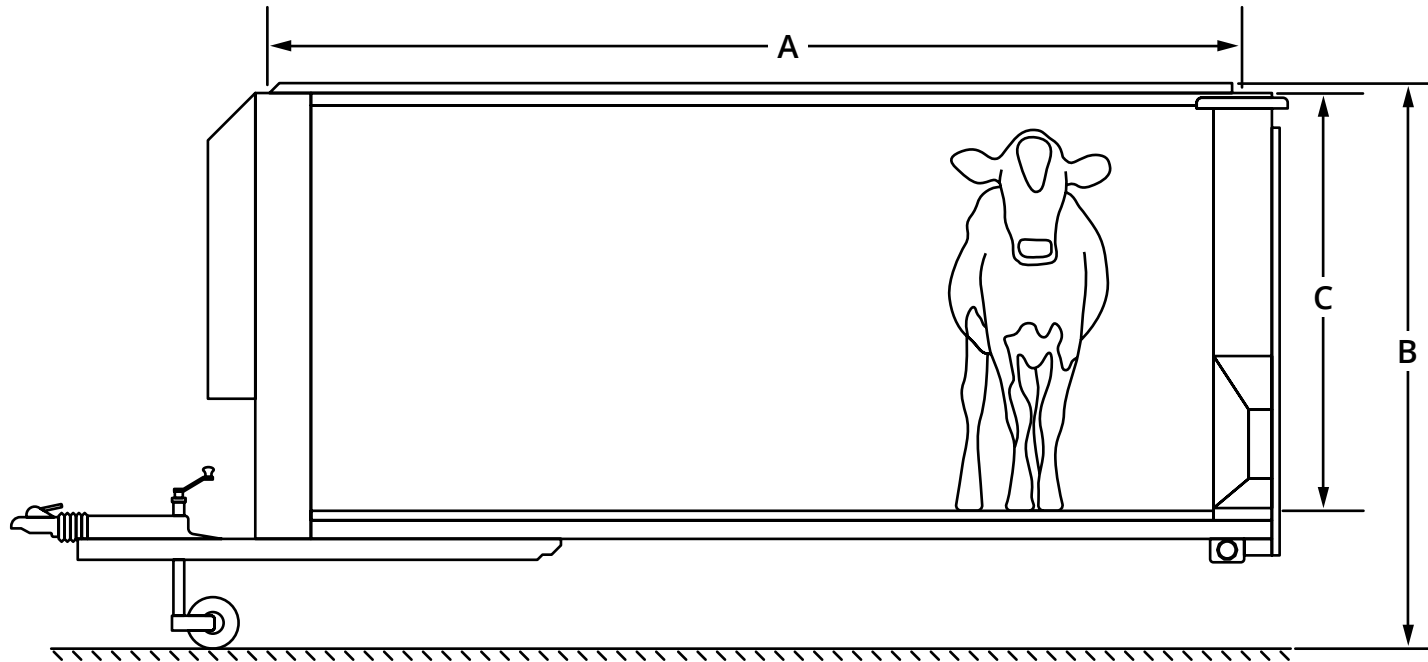
*Image may include optional extras*

**DIMENSIONS - FRONT & REAR**



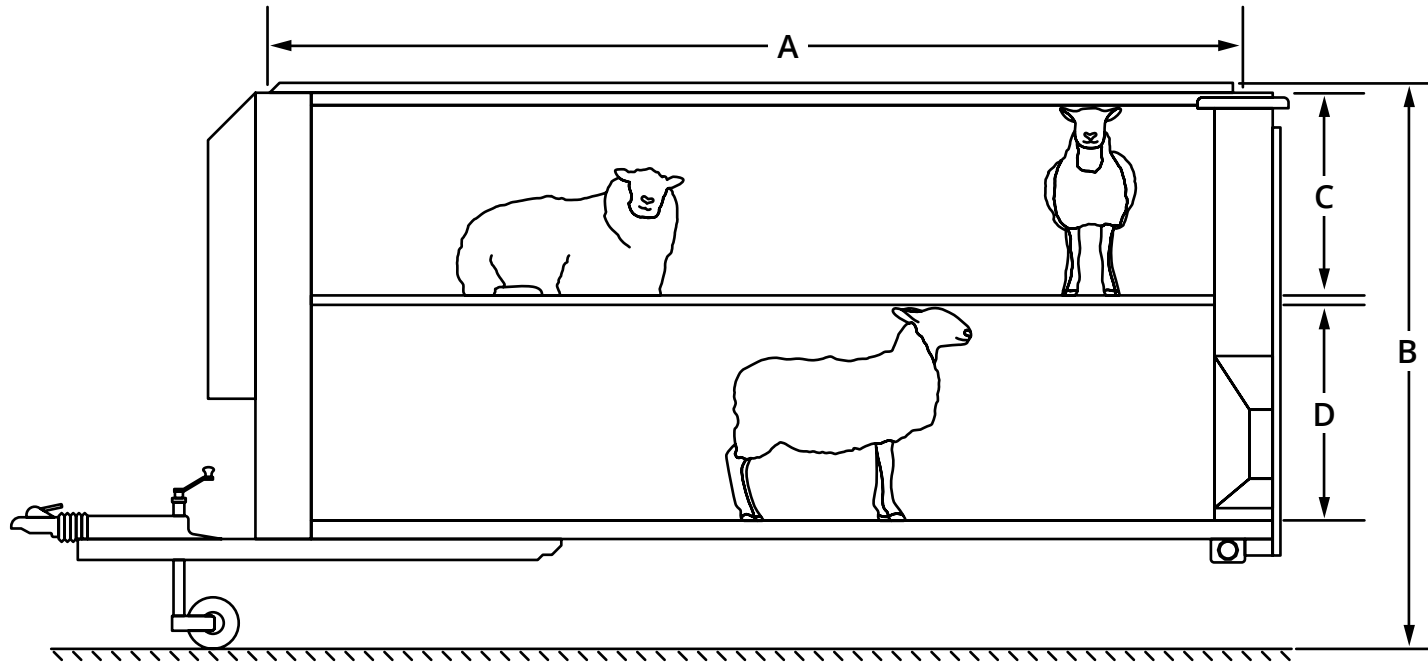
A	Overall Width	2420mm [7'-11"]
B	Internal Width	1760mm [5'-9"]
C	Overall Height	2300mm [7'-6½"]

**DECK HEIGHTS - SINGLE CATTLE DECK**



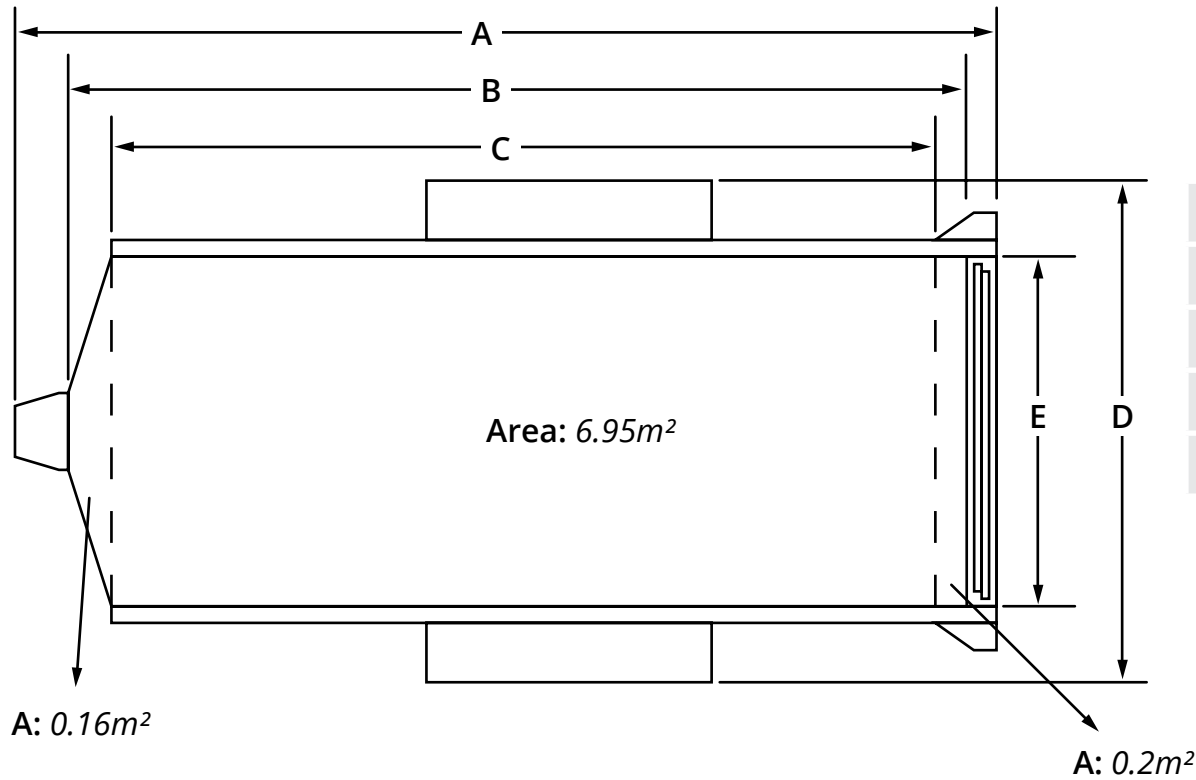
A	Internal Length	4265mm [14']
B	Overall Height	2300mm [7'-6½"]
C	Single Cattle Height	1815mm [5'-11½"]

**DECK HEIGHTS - LIFTING SHEEP DECK**



A	Internal Length	4265mm [14']
B	Overall Height	2300mm [7'-6½"]
C	Top Deck Height	895mm [2'-11"]
D	Bottom Deck Height	950mm [3'-1"]

**FLOORPLAN**



A	Overall Length	4715mm [15'-5½"]
B	Internal Length	4265mm [14']
C	Pen Length	3950mm [12'-11½"]
D	Overall Width	2420mm [7'-11"]
E	Internal Width	1760mm [5'-9"]
<b>Total Area Per Deck</b>		<b>7.31m<sup>2</sup></b>



*Image may include optional extras*



*Image may include optional extras*

SPECIALISTS IN THE DESIGN & MANUFACTURE  
OF UNIQUE LIVESTOCK TRANSPORTERS

## GOT ANY QUESTIONS?

If you have any enquiries about this product,  
contact us by using the details below.

E: [sales@houghtons.com](mailto:sales@houghtons.com)

T: +44 (0) 15395 63347

For further information visit our website.

[www.houghtons.com](http://www.houghtons.com)

### **Houghton-Parkhouse Ltd**

Grisleymires Lane

Milnthorpe

Cumbria

LA7 7RF

**HOUGHTON**  
PARKHOUSE

**TITAN** AANHANGWAGENS

*Dimensions are given as a guide only. We reserve the right to alter specifications without notice. Product design, descriptions, colours, specifications etc. correct at time of going to press. We constantly strive to improve our products, and from time to time this may result in changes to our range or to individual models. Please check that design, description, colours, specifications described in this document are still valid at the time of placing an order.*

*Issue\_001*

*No part of this publication may be reproduced in any form or by any means, without the prior written permission of Houghton-Parkhouse Ltd.*

© Houghton-Parkhouse Ltd 2021. All rights reserved.